

LeKrius® Storage Bag

In the whole bioprocessing process, the storage and transportation of liquid are very important. LePure provides a complete transportation and storage solution to support the needs of liquid treatment in the production process and meet the needs of transportation and loading and unloading. LeKrius® storage bag is made of multi-layer co-extruded film as raw material, which ensures extremely low gas permeability, good physical strength, wide chemical compatibility and biocompatibility of sterile liquid storage bag, so that it is safe to use. It is used for the storage and transfer of various biopharmaceutical process liquids. LeKrius® storage bags include two categories: 2D storage bags and 3D storage bags, covering volume specifications from 5ml-2500L and provide supporting containers and transfer equipment



Typical applications

- LeKrius® film is completely independently developed and produced, with good physical strength, chemical compatibility and biocompatibility
- The membrane material is transparent, which is conducive to auxiliary process judgment
- It can meet the storage and transfer requirements of various feed liquids in the biopharmaceutical process
- The size, pipeline, joints and filters can be customized flexibly, suitable for various processes
- It can be matched with different support containers to meet the use requirements to the greatest extent

Advantage

- Storage and transport of small-scale buffers and media
- Collection of purified fractions
- sample collection
- Temporary storage and transportation of bulk intermediate products
- Appropriate liquid-liquid mixing process
- Raw solution harvesting, storage and transshipment
- Shipping of the finished product

Technical parameters

Physical Characteristics

Testing Standards	Test Items	Test Results
ASTM-D6988	Film thickness test (μm)	Pass
ASTM-882	Tensile strength MD (MPa)	Pass
ASTM-882	Tensile strength TD (MPa)	Pass
ASTM-F1306	Puncture strength (N)	Pass
ASTM-D1709	Falling dart impact (J)	Pass
ASTM-F392	Kneading performance (pcs)	Pass

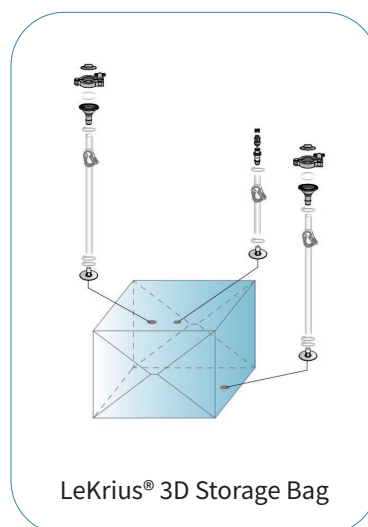
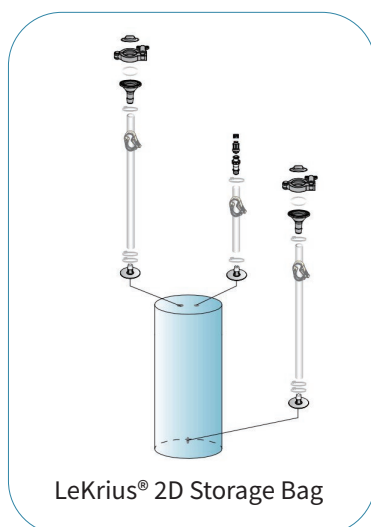
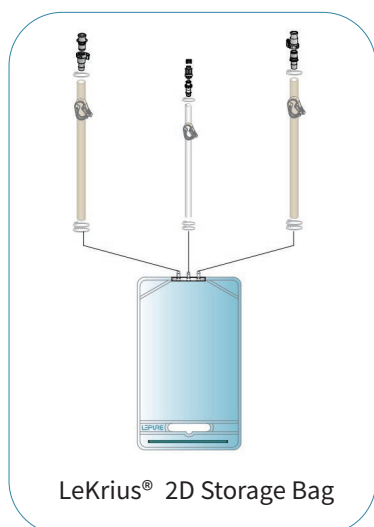
Biocompatibility

Testing Standards	Test Items	Test Results
USP<87>	In vitro biological response	Pass
USP<88>ClassVI	In vivo biological response	Pass
USP<661>	Physical and chemical properties testing of plastics	Pass

Performance Testing

Testing Standards	Test Items	Test Results
USP<788>	Insoluble Particle Test	Pass
USP<85>	Bacterial endotoxin test	Pass
USP<790>	Visible foreign body test	Pass
Internal methods	Integrity Testing	Pass
USP<643>	TOC Test	Pass
USP<645>	Electrical conductivity test	Pass
ASTM F88	Heat seal strength test	Pass

Product Drawings



Ordering information

2D storage bags (L-Flex TPE+Lure) general

volume	Pro NO.	Inlet tube	Outlet tube	Sampling
HP0050-1AK	50ml	1/8"*1/4" L-Flex TPE 30cm+ Luer female fitting + male plug	1/8"*1/4"L-Flex TPE 30cm+ Luer male connector + female plug	/
HP0100-1AK	100ml			

2D storage bags (L-Flex TPE+CPC Quick pick-up) general

volume	Pro NO.	Inlet tube	Outlet tube	Sampling
HP0250-3AK	250ml	1/4"*3/8" L-Flex TPE 30cm+MPC female connector + male cap	1/4"*3/8" L-Flex TPE 30cm+MPC male connector + female cap	/
HP0500-3AK	500ml			
HP001-4AK	1L	1/4"*3/8" L-Flex TPE 50cm+MPC female connector + male cap	1/4"*3/8" L-Flex TPE 50cm+MPC male connector + female cap	1/4"*3/8" Lepure Silicone Tubing 20cm+ Female Luer Thread Barb + Needleless Sampler + Needleless Sampler cap
HP002-4AK	2L			
HP003-4AK	3L			

2D storage bags (L-Flex TPE+CPC Quick pick-up) general

volume	Pro NO.	Inlet tube	Outlet tube	Sampling
HP005-5AK	5L	3/8"*5/8" L-Flex TPE 50cm+MPC female connector + male cap	3/8"*5/8" L-Flex TPE 50cm+MPC male connector + female cap	1/4"*3/8" Lepure Silicone Tubing 20cm+ Female Luer Thread Barb + Needleless Sampler + Needleless Sampler cap
HP010-5AK	10L			
HP020-5AK	20L			
HP030-5AK	30L			
HP050-5AK	50L			

2D storage bags (L-Flex TPE+Sealed end) upstream

volume	Pro NO.	Inlet tube	Outlet tube	Sampling
HP001-5DK	1L	3/8"*5/8" L-Flex TPE 60cm+- Sealed end	3/8"*5/8"L-Flex TPE 60cm+- Sealed end	1/4"*3/8" L-Flex TPE 20cm+ Female Luer Thread Barb + Needle- less Sampler + Needle- less Sampler cap
HP002-5DK	2L			
HP005-5DK	5L			
HP010-5DK	10L			
HP020-5DK	20L			
HP050-5DK	50L			

2D storage bags (Inlet tube filter550cm² upstream)

volume	Pro NO.	Inlet tube	Outlet tube	Sampling
HP001-5BK	1L	3/8"*5/8"L-Flex TPE 50cm+- filter (P1S5DS5THM) +3/8"*5/8" Lepure Silicone Tubing30cm+MPC female connector + male cap	3/8"*5/8" L-Flex TPE 50cm+- Sealed end	1/4"*3/8" L-Flex TPE 20cm+ Female Luer Thread Barb + Needle- less Sampler + Needle- less Sampler cap
HP002-5BK	2L			
HP005-5BK	5L			
HP010-5BK	10L			
HP020-5BK	20L			
HP050-5BK	50L			

2D storage bags (Lepure Silicone Tubing+CPC Quick pick-up) downstream

volume	Pro NO.	Inlet tube	Outlet tube	Sampling
HP001-5EK	1L	3/8"*5/8"Lepure Silicone Tubing50cm+MPC female connector + male cap	3/8"*5/8"Lepure Silicone Tubing50cm+MPC male connector + female cap	1/4"*3/8"Lepure Silicone Tubing 15cm+Luer female fitting + male plug
HP002-5EK	2L			
HP005-5EK	5L			
HP010-5EK	10L			
HP020-5EK	20L			
HP050-5EK	50L			

2D storage bags (Inlet tube filter 550cm² downstream)

volume	Pro NO.	Inlet tube	Outlet tube	Sampling
HP001-5CK	1L	3/8"*5/8"Lepure Silicone Tubing50cm(Add and disconnect loops)+filter (P1S5DS5THM) +3/8"*5/8"Lepure Silicone Tubing30cm+MPC female connector + male cap	3/8"*5/8" Lepure Silicone Tubing 50cm+TC25+Tri-Clamp	1/4"*3/8" Lepure Silicone Tubing 20cm+Luer female fitting + male plug
HP002-5CK	2L			
HP005-5CK	5L			
HP010-5CK	10L			
HP020-5CK	20L			
HP050-5CK	50L			

2D storage bags (TC50+Tri-Clamp) general

volume	Pro NO.	Inlet tube	Outlet tube	Sampling
FT057-7K	57L	3/8"*5/8"Lepure Silicone Tubing150cm+TC50+Tri-Clamp	3/8"*5/8"Lepure Silicone Tubing150cm+TC50+Tri-Clamp	1/8"*1/4"Lepure Silicone Tubing30cm+ Female Luer Thread Barb + Needleless Sampler + Needleless Sampler cap
FT113-7K	113L			
FT208-7K	208L			
FT303-7K	303L	1/2"*3/4"Lepure Silicone Tubing150cm+TC50+Tri-Clamp	1/2"*3/4"Lepure Silicone Tubing150cm+TC50+Tri-Clamp	
FT378-7K	378L			

2D storage bags (CPC Quick pick-up) general

volume	Pro NO.	Inlet tube	Outlet tube	Sampling
FT057-8K	57L	3/8"*5/8" L-Flex TPE 150cm+MPC male connector + female cap	3/8"*5/8"L-Flex TPE 150cm+MPC male connector + female cap	1/8"*1/4"Lepure Silicone Tubing30cm+ Female Luer Thread Barb + Needleless Sampler + Needleless Sampler cap
FT113-8K	113L			
FT208-8K	208L			
FT303-8K	303L	1/2"*3/4" L-Flex TPE 150cm+MPX male connector + female cap	1/2"*3/4" L-Flex TPE 150cm+MPX male connector + female cap	
FT378-8K	378L			

3D storage bags (TC50+Tri-Clamp) general

volume	Pro NO.	Inlet tube	Outlet tube	Sampling
FD250-7K	250L	3/8"*5/8"Lepure Silicone Tubing 150cm+TC50+Tri-Clamp		1/8"*1/4"Lepure Silicone Tubing30cm+ Female Luer Thread Barb + Needleless Sampler + Needleless Sampler cap
FD500-7K	500L			
FD1000-7K	1000L	1/2"*3/4"Lepure Silicone Tubing 150cm+TC50+Tri-Clamp		

3D storage bags (CPC Quick pick-up) general

volume	Pro NO.	Inlet tube	Outlet tube	Sampling
FD250-8K	250L	3/8"×5/8" Lepure Silicone Tubing150cm+ MPC male connector + female cap	3/8"×5/8" Lepure Silicone Tubing150cm+ MPC male connector + female cap	1/8"×1/4" Lepure Silicone Tubing30cm+ Female Luer Thread Barb + Needleless Sampler + Needleless Sampler cap
FD500-8K	500L			
FD1000-8K	1000L			

3D storage bags (Sealed end) upstream

volume	Pro NO.	Inlet tube	Outlet tube	Sampling
FD100-11K	100L	1/2"×3/4" L-Flex TPE 60cm+Sealed end	1/2"×3/4" Lepure Silicone Tubing 50cm+1/2"×3/4" L-Flex TPE 60cm+Sealed end	1/4"×3/8" Lepure Silicone Tubing6cm+1/8"×1/4" L-Flex TPE 20cm+ Female Luer Thread Barb + Needleless Sampler + Needleless Sampler cap
FD250-11K	200L			
FD250-11K	250L			
FD500-11K	500L	1/2"×3/4" Lepure Silicone Tubing100cm+1/2"×3/4" L-Flex TPE 60cm+Sealed end		
FD1000-11K	1000L			

3D storage bags (Inlet tube filter upstream)

volume	Pro NO.	Inlet tube	Outlet tube	Sampling
FD100-9K	100L	1/2"×3/4" L-Flex TPE 100cm+filter (P1S5D05THM)+1/2"×3/4" Lepure Silicone Tubing50cm+MPX female connector + male cap	1/2"×3/4" Lepure Silicone Tubing100cm+1/2"×3/4" L-Flex TPE 50cm+Sealed end	1/4"×3/8" Lepure Silicone Tubing6cm+1/8"×1/4" L-Flex TPE 20cm+ Female Luer Thread Barb + Needleless Sampler + Needleless Sampler cap
FD250-9K	200L			
FD250-9K	250L			
FD500-9K	500L			
FD1000-9K	1000L			

3D storage bags (Inlet tube CPC,Outlet tubeTC25) downstream

volume	Pro NO.	Inlet tube	Outlet tube	Sampling
FD100-12K	100L	1/2"×3/4" Lepure Silicone Tubing 150cm+MPX female connector + male cap	1/2"×3/4" Lepure Silicone Tubing 150cm+TC25+Tri-Clamp	1/8"×1/4" Lepure Silicone Tubing15cm+Luer female fitting + male plug
FD200-12K	200L			
FD250-12K	250L			
FD500-12K	500L			
FD1000-12K	1000L			

3D storage bags (Inlet tube filter downstream)

volume	Pro NO.	Inlet tube	Outlet tube	Sampling
FD100-10K	100L	1/2"×3/4" Lepure Silicone Tubing 50cm (Add and disconnect loops) +filter (P1S5D04THM) +1/2"×3/4" Lepure Silicone Tubing100cm+MPX female connector + male cap	3/8"×5/8" Lepure Silicone Tubing150cm+ TC25+Tri-Clamp	1/8"×1/4" Lepure Silicone Tubing 20cm+Luer female fitting + male plug
FD250-10K	200L			
FD250-10K	250L			
FD500-10K	500L	1/2"×3/4" Lepure Silicone Tubing 50cm (Add and disconnect loops) +filter (P1S5D10THM) +1/2"×3/4" Lepure Silicone Tubing100cm+MPX female connector + male cap	1/2"×3/4" Lepure Silicone Tubing150cm+ TC50+Tri-Clamp	
FD1000-10K	1000L			

*Note: 100% can be flexibly customized, please consult the regional sales manager for details

China, Shanghai LePure Biotech Co., Ltd.

Building 3, 410 Yunzhen Road, Songjiang, Shanghai, China 201600
Tel:400-902-0506 Email : marketing@lepure-bio.com

United States LePure Biotech LLC

2200 West Park Drive,Suite 300,Westborough, MA 01581,USA
Tel: +1-978-355-8050 Fax: +1-978-355-8053 www.lepurebiotech.com